

SINGLE PHASE HYBRID INVERTER

HB8K-SPM-EU

FEATURES



COLORFUL TOUCH LCD, IP65 PROTECTION DEGREE



AC COUPLING TO RETROFIT EXISTING SOLAR SYSTEM



MAX. 16 PCS PARALLEL FOR ON-GRID AND OFF-GRID OPERATION; SUPPORT MULTIPLE BATTERIES PARALLEL



MAX. CHARGING/DISCHARGING CURRENT OF 190A



6 TIME PERIODS FOR BATTERY CHARGING/DISCHARGING



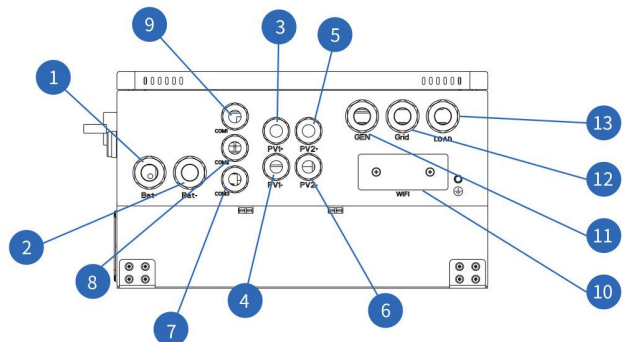
SUPPORT STORING ENERGY FROM DIESEL GENERATOR



CERTIFICATIONS

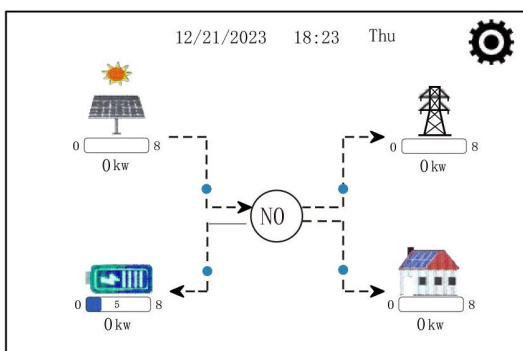


PRODUCT CHARACTERISTICS

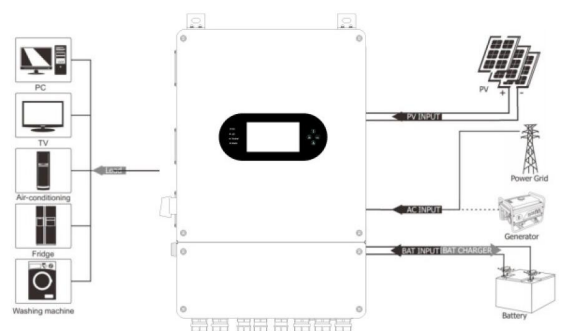


- 1. Bat+ 3. PV1+ 5. PV2+ 7. COM3 9. COM1 11. GEN
- 2. Bat- 4. PV1- 6. PV2- 8. COM2 10. WIFI 12. Grid
- 13. LOAD

LCD DISPLAY ICONS



BASIC SYSTEM ARCHITECTURE



Model	HB8K-SPM-EU
PV String Input Data	
Max. DC Input Power (W)	10400
Rated PV Input Voltage (V)	370 (125~500)
Start-up Voltage (V)	125
MPPT Voltage Range (V)	150-430
Full Load MPPT Voltage Range (V)	200-430
Max. DC Input Current(A)	26+26
Max. DC Short Circuit Current(A)	34+34
No.of MPPT Trackers	2
No.of Strings per MPPT Tracker	2+2
AC Output Data	
Rated AC Output Power (W)	8000
Max AC Output Power (W)	8800
AC Output Rated Current (A)	36.4
Max AC Output Current (A)	40
Max Continuous AC Passthrough (A)	50
Peak Power (off grid)	2 times of rated power, 10 S
Power Factor	0.8 leading - 0.8 lagging
AC Output Frequency and Voltage	50/60Hz; L/N/PE 220/230Vac
Grid Type	Single Phase
Total Harmonic Distortion (THDi)	<3% (of nominal power)
DC Current Injection	<0.5% (Rated Current)
Battery Input Data	
Battery Type	Lead-acid or Lithium-ion
Battery Voltage Range (V)	40~60
Max. Charging Current (A)	190
Max. Discharging Current (A)	190
External Temperature Sensor	Yes
Charging Curve	3 Stages / Equalization
Charging Strategy for Li-Ion Battery	Self-adaption to BMS
Efficiency	
Max. Efficiency	97.60%
Euro Efficiency	96.50%
MPPT Efficiency	99.90%
Protection	
Anti-islanding Protection	Yes
PV String Input Reverse Polarity Protection	Yes
Insulation Resistor Detection	Yes
Residual Current Monitoring Unit	Yes
Output Over Current Protection	Yes
Output Shorted Protection	Yes
Surge Protection	DC Type II/AC Type III
Over Voltage Protection	Yes
Certifications and Standards	
Grid Regulation	IEC61727/,EN50549-1
Safety EMC / Standard	IEC/EN 61000-6/2/4, IEC/EN 62109-1, IEC/EN 62109-2
General Data	
Operating Temperature Range (°C)	-40~60°C, >45°C Derating
Cooling	Smart Cooling
Noise (dB)	≤50 dB
Communication with BMS	RS485; CAN
Monitoring mode	WiFi, APP
Weight (kg)	29
Size (W x H x D mm)	630x413x258mm
Protection Degree	IP65
Installation Style	Wall-mounted
Warranty	5 Years (10Years Optional)

Suzhou Preta Intelligence and Technology Co.,Ltd

No..55 Shangxiang Road, Huaqiao Corporation Head Quarter Centre,
Kunshan City, Suzhou City, China

Tel: 0512-36684019

Mail: info@pretapower.com

Web: www.pretapower.com

